

PAM60

Multi-Functional Motion Sensor



Main Features

- 180° detection angle for wall mount
- 1000W resistive load capacity
150W CFL's or LED's loads
- Time & Lux adjustable settings
- 0.5W dusk to dawn LED night-light to bring auto-luminary in darkness
- Manual override to operate the main lighting for temporary constant-ON or OFF
- Wall or ceiling installations for indoor or outdoor
- Standby power less than 0.5W
- Adjustable bracket for ceiling mount to focus the preferred detection zone

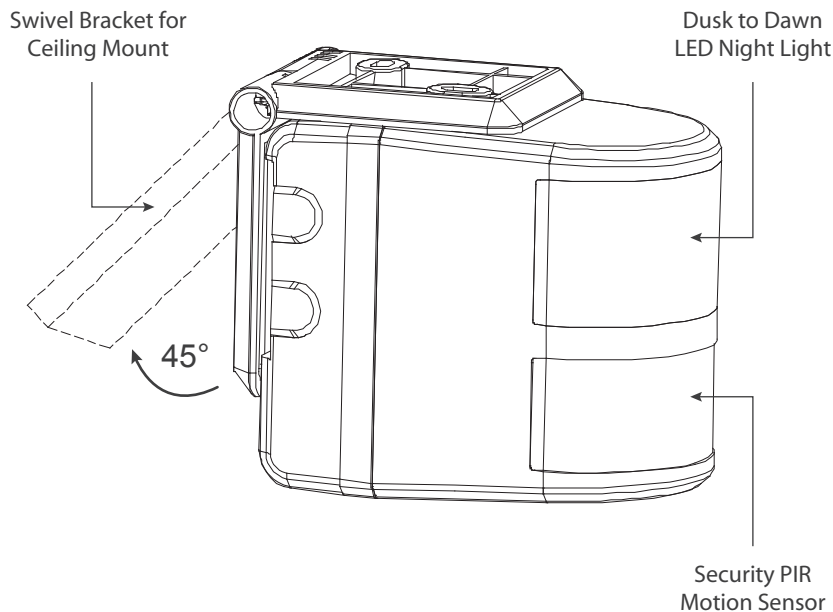


EVERSPRING®

Smarter, Safer, Greener

Brief Product Specifications

Power requirement	AC100V - 240V / 50Hz, 60Hz	LED twilight	0.5W (28 lumen)
Loading (@230VAC)	1000W for incandescent 480W for fluorescent 150W for CFL's or LED's	Operation mode	Auto / Manual override
Detection angle	Up to 180°	Warm-up time	Less than 1 minute
Detection distance (at 20°C)	Up to 12m within 140° Recommended mounting height : 1.5m - 2.0 m for wall mount, or ceiling mount with swivel bracket	Isolation protection	Class II
Run-on time setting	5 sec. - 12 min.	Water proof	IP54
Ambient light setting	20 - 300 lux	Working temp.	-20°C - +40°C
Standby power	Less than 0.5W	Storage temp.	-20°C - +70°C
		Regulation	EN60669-1, EN60669-2-1, EN61000-3-2, EN61000-3-3, EN61547, EN55015
		Dimension (L × W × H)	57 × 86 × 79mm



EVERSPRING®
Everspring Industry Co., Ltd.

Copyright © 2016 by Everspring Industry Co., Ltd. All rights reserved. The Everspring name and logo are registered trademarks of Everspring Industry Co., Ltd. All other trademarks and brand names are the property of their respective owners. Everspring reserves the right to revise product specifications and literature at any time without prior notice to any party.

Confidentiality Statement

The purpose of this document is to provide general information about a product or products of Everspring Industry Co., Ltd. All information contained in this document is the confidential property of Everspring Industry Co., Ltd. Except where expressly authorized by Everspring Industry Co., Ltd., alteration, reproduction, redistribution, or transmission of this document by any means is strictly prohibited.

3F, No.50, Sec.1, Zhonghua Rd., Tucheng Dist.,
New Taipei City 23666, Taiwan

Tel: +886-2-2260-6868
Fax: +886-2-2260-1313

Web: www.everspring.com
E-mail: sales@everspring.com