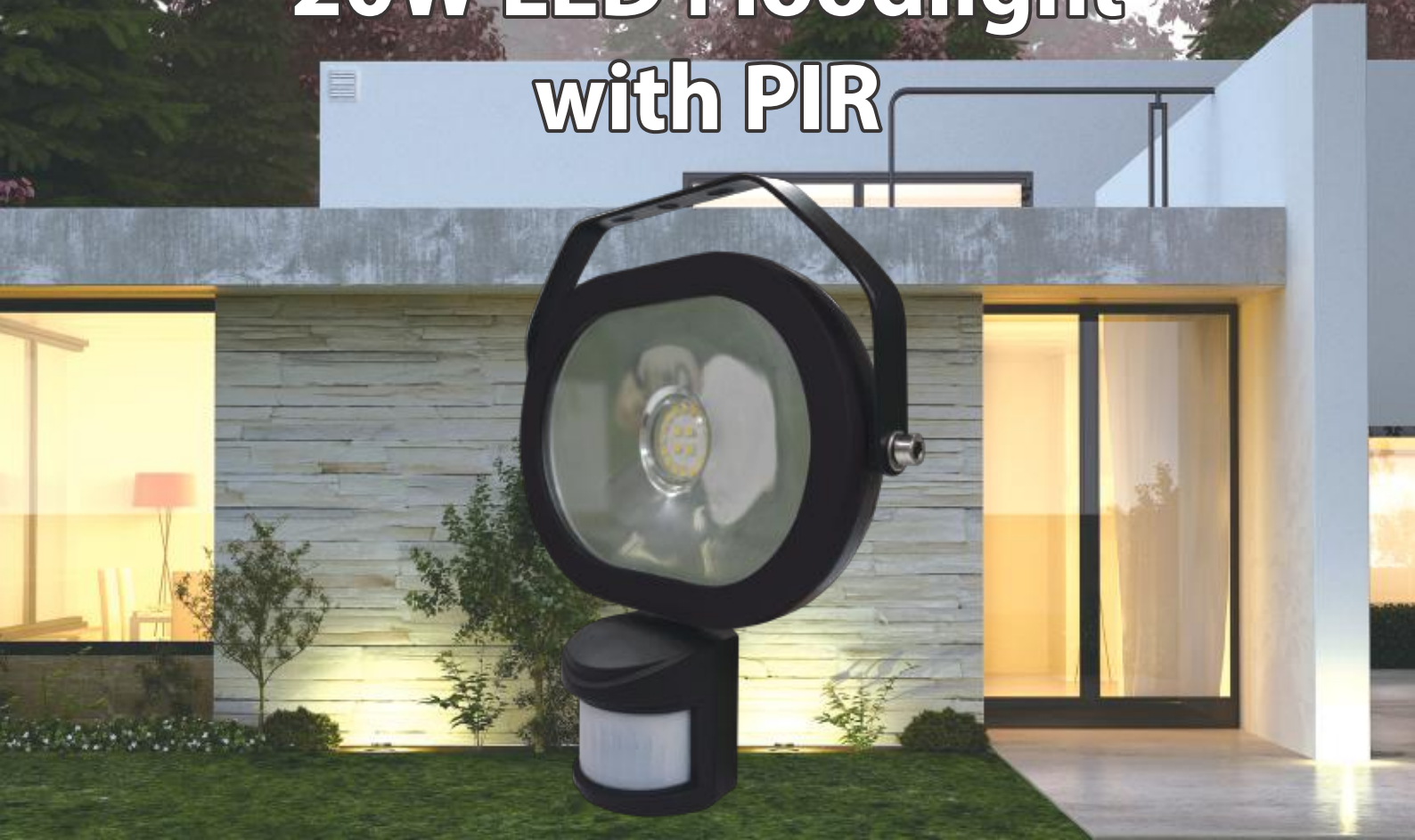


EH405

# 20W LED Floodlight with PIR



Small yet powerful, this slim design floodlight with PIR detector is a compact fully automatic security floodlight. Its aesthetic design makes it suitable for installation in front areas of the house typically occupied by spotlight and lanterns.

When connected to the U-Net gateway, the user is able to remotely turn on/off the floodlight and receive notification when the PIR detects motion.

## Main Features

- Wireless two-way communication
- Comply with U-Net 4.0 solution
- Auto-pairing to the gateway
- IP54 weather proof for outdoor use
- VR adjustment for time & lux setting
- Swivel lens angle
- Test mode for easy installation at outdoors



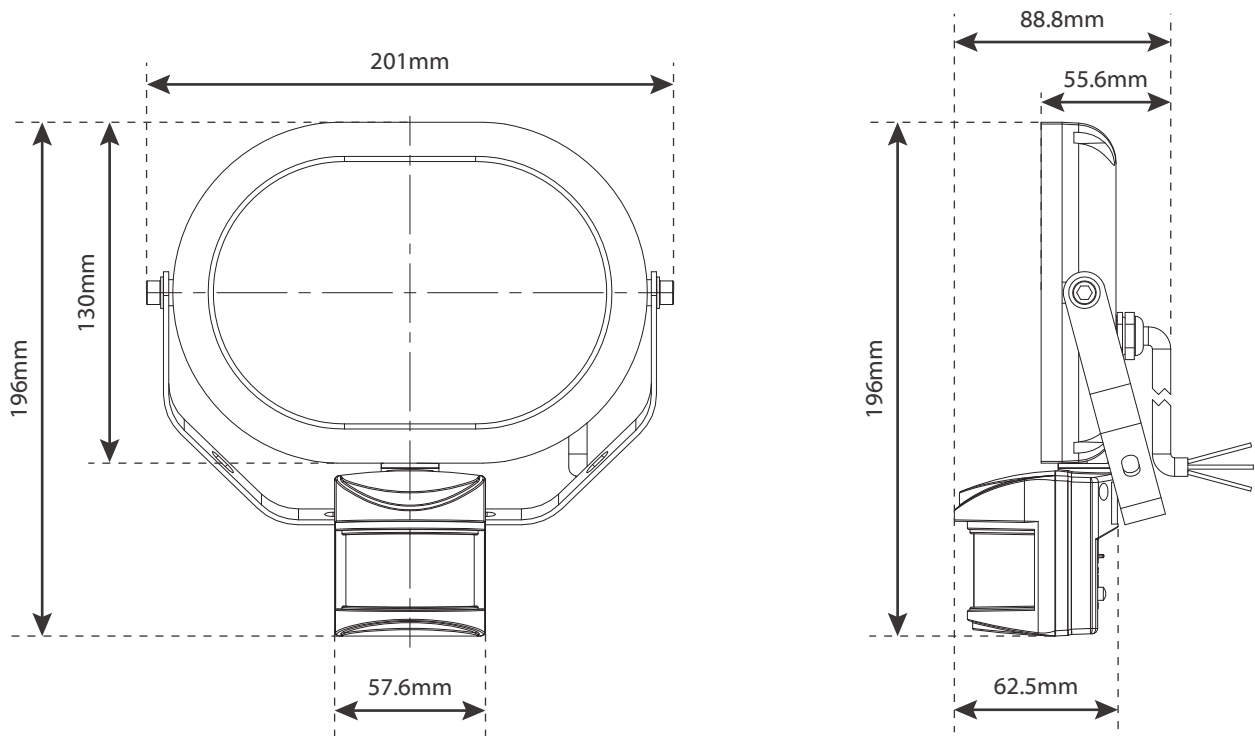
EVERSPRING®

*Smarter, Safer, Greener*

## Brief Product Specifications

Function	20W LED floodlight with PIR
Frequency range	868.30 MHz
RF protocol	U-Net 4.0
RF range (open space)	>150m
Color temp (K)	5000K, cool white
CRI	≥70
Lumen (lm)	1500 lm ± 5%
Beam angle	>90°
Power input	AC 220~240V, 50/60Hz
PIR detection angle/range	Max angle 120° @6m Max range 12m @100° (at 1.9m height, 25°C)

Sensor swiveling angle	Horizontal: 60°, Up to 30° Leftward, Up to 30° Rightward
Lux adjustment	30 - 200Lux & test mode
Time adjustment	5±3 Sec - 12±4 Min
Electrical classification	Class I
Protection degree	IP54
Operation temperature	-20°C ~ 40°C
Operation humidity	95% RH max
Dimension (mm)	201(W) x 88.8(D) x 196(H)
Weight	830g



**EVERSPRING®**  
Everspring Industry Co., Ltd.

Copyright © 2018 by Everspring Industry Co., Ltd. All rights reserved. The Everspring name and logo are registered trademarks of Everspring Industry Co., Ltd. All other trademarks and brand names are the property of their respective owners. Everspring reserves the right to revise product specifications and literature at any time without prior notice to any party.

**Confidentiality Statement**

The purpose of this document is to provide general information about a product or products of Everspring Industry Co., Ltd. All information contained in this document is the confidential property of Everspring Industry Co., Ltd. Except where expressly authorized by Everspring Industry Co., Ltd., alteration, reproduction, redistribution, or transmission of this document by any means is strictly prohibited.

3F, No.50, Sec.1, Zhonghua Rd., Tucheng Dist.,  
New Taipei City 23666, Taiwan

Tel: +886-2-2260-6868  
Fax: +886-2-2260-1313

Web: [www.everspring.com](http://www.everspring.com)  
E-mail: [sales@everspring.com](mailto:sales@everspring.com)